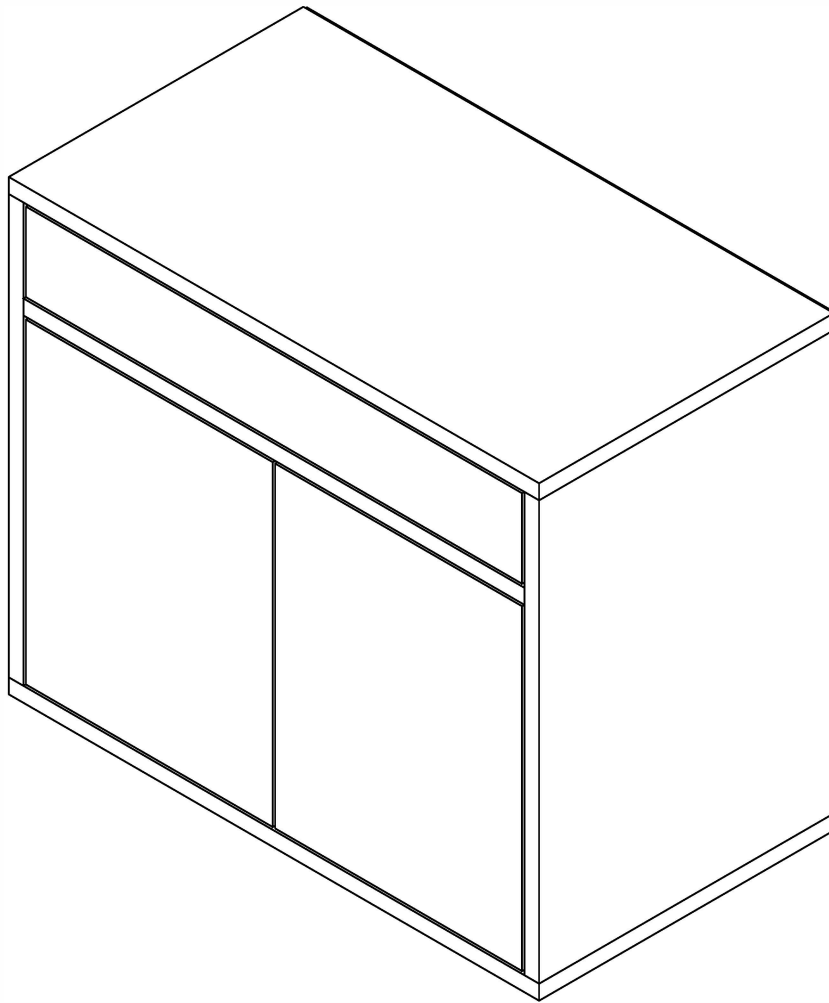
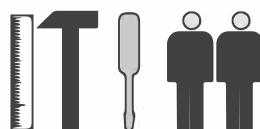


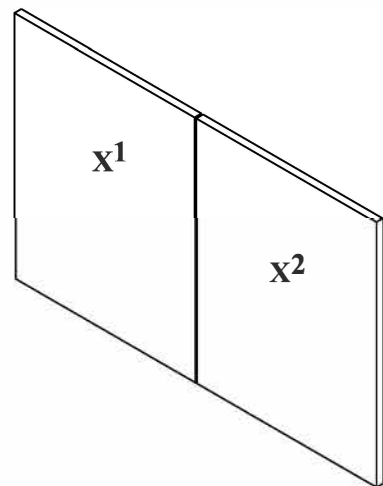
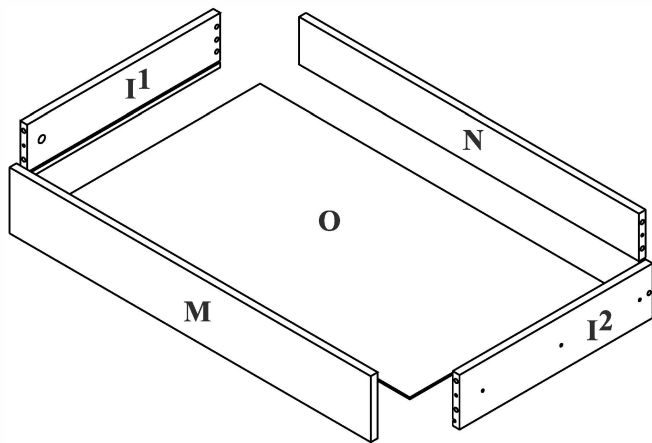
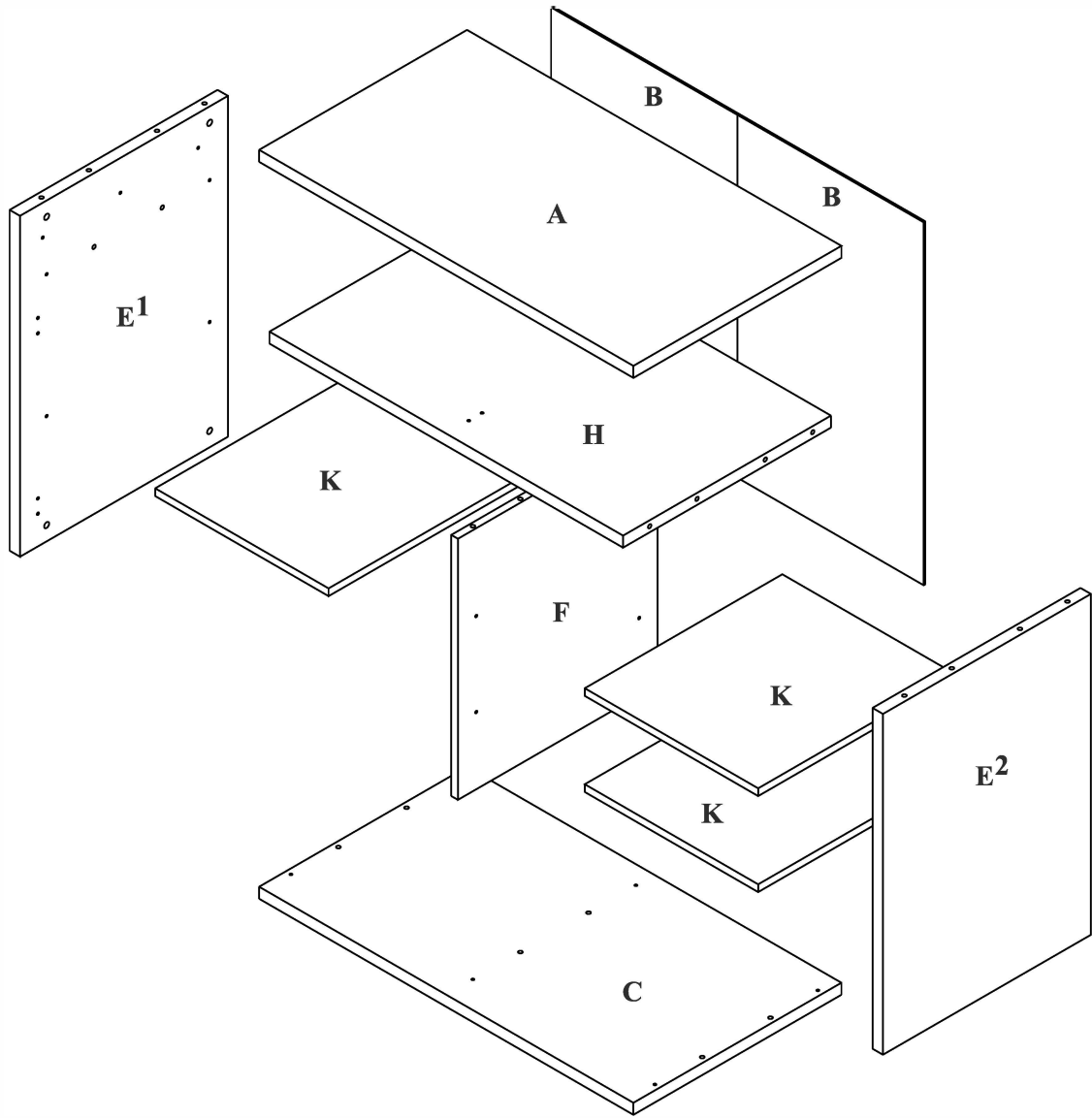
Z4

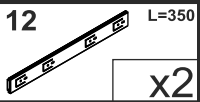


1 x18	2 15x12 x6	3 15x16 x12	4 8x35 x24	10 x60	12 L=350 x2
5 x1	7 x18	8 7x50 x2	9 x12	11 x4	13 x4
14 x1	15 x2	16 x2	17 3,5x16 x20	18 3x13 x3	19 3,5x25 x4
	40 x4	22 3,5x13 x4	21 L=415 x3	20 x1	

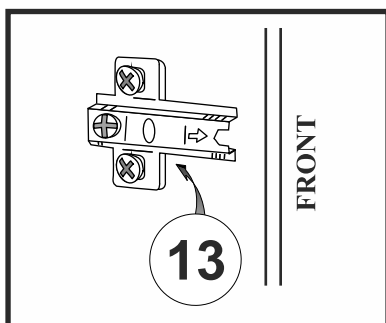
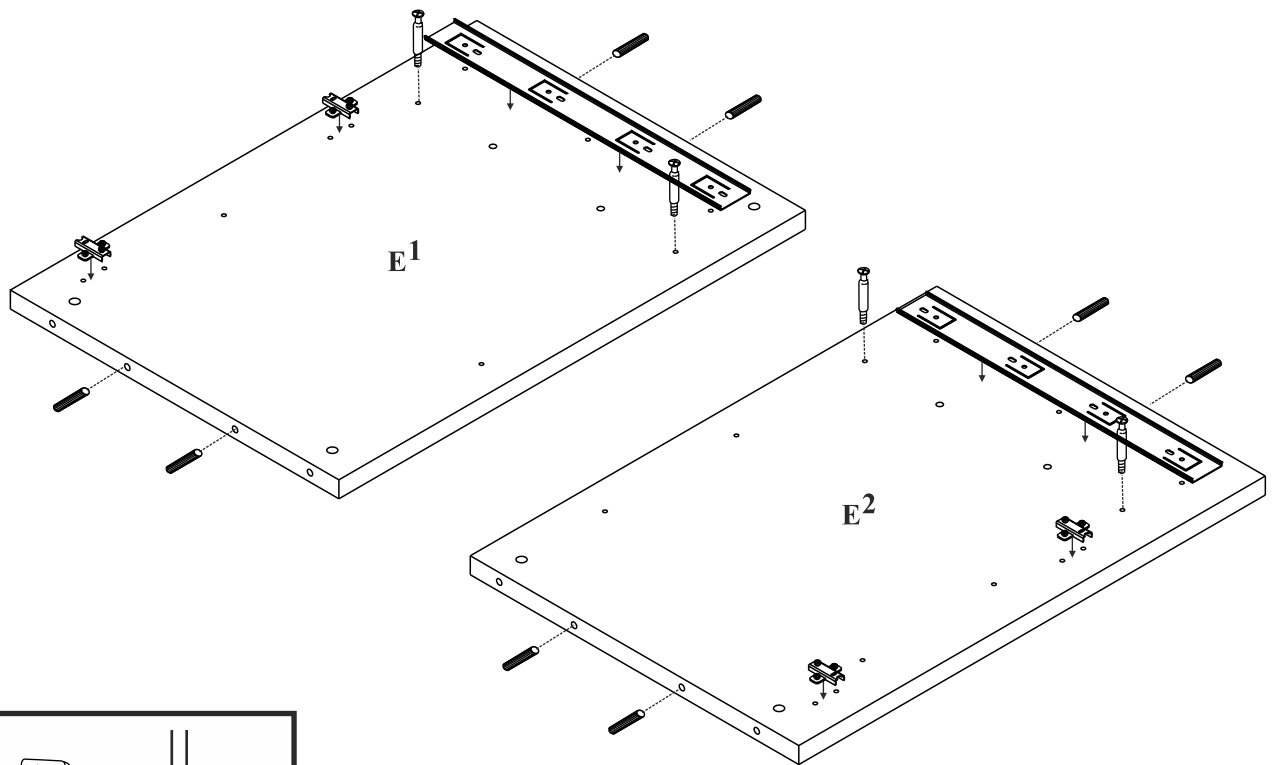
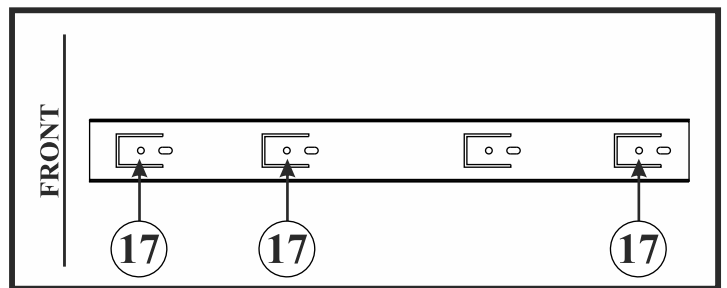
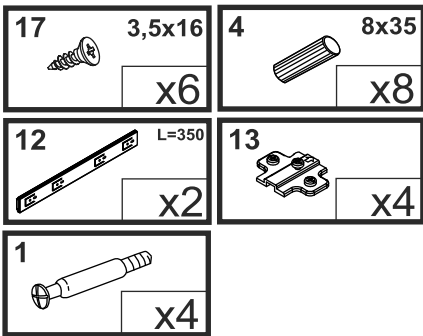
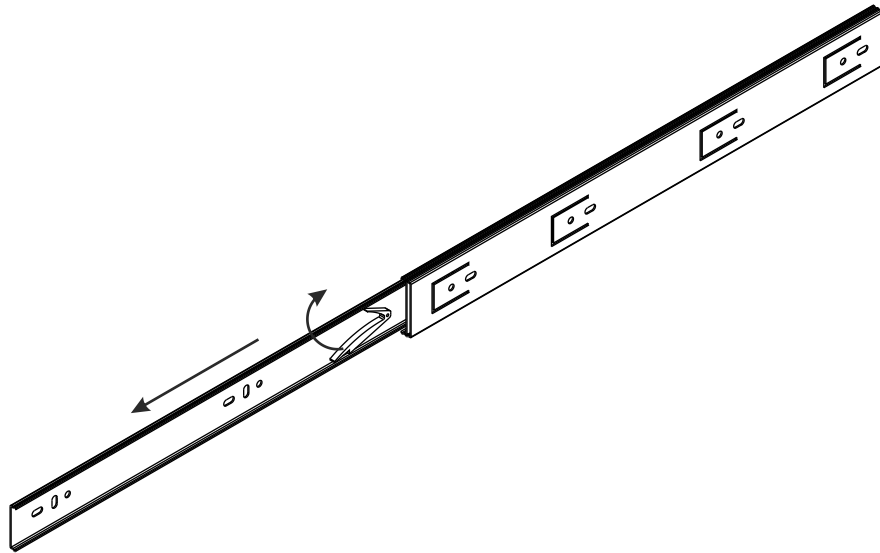
120 min.





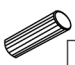



1

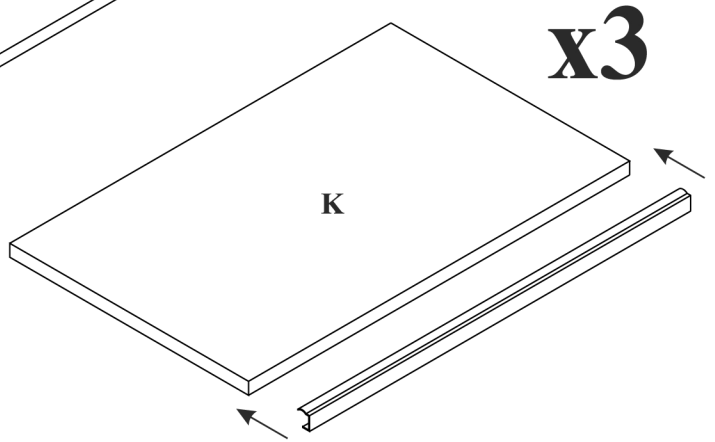
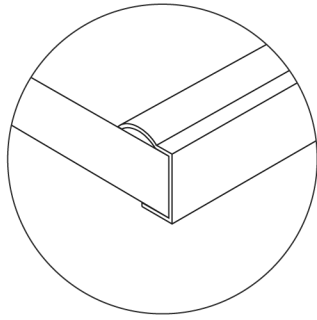
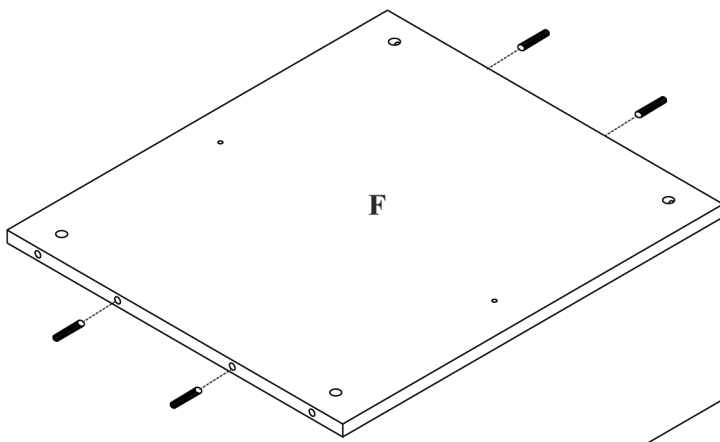


2

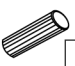
3

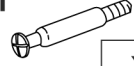
4	8x35
	x4


21	L=415
	x3





4


4	8x35
	x4

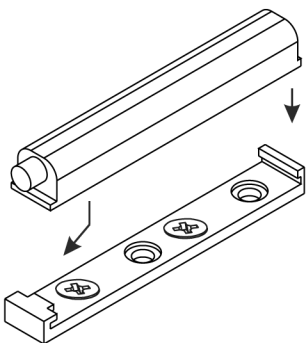
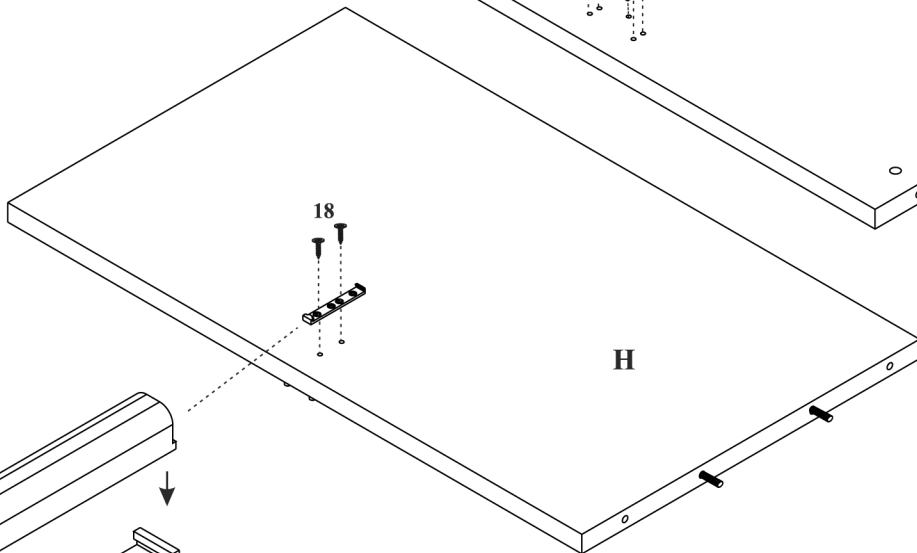
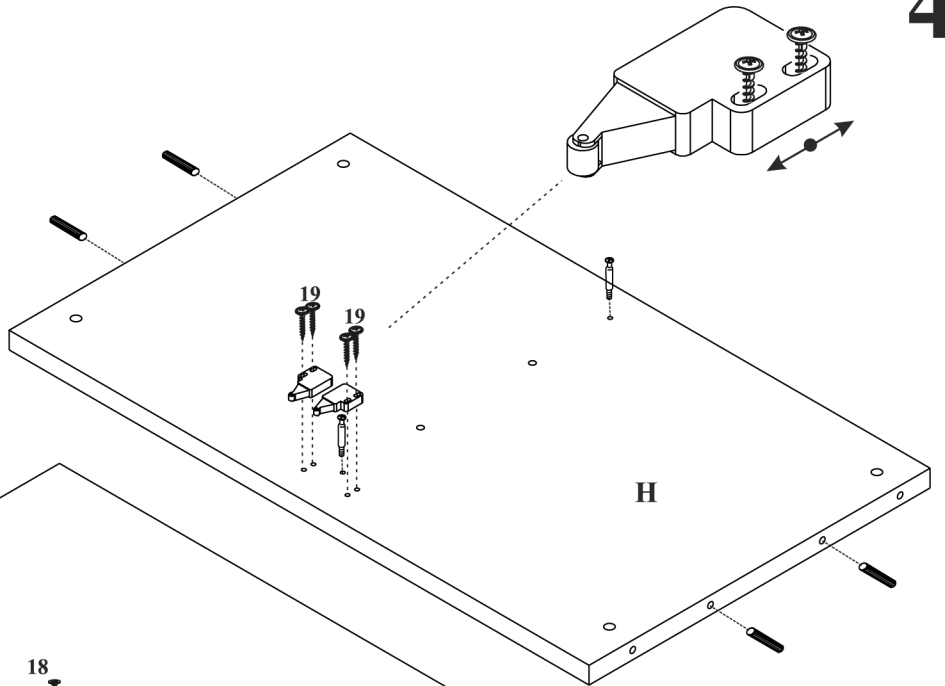
1	
	x2

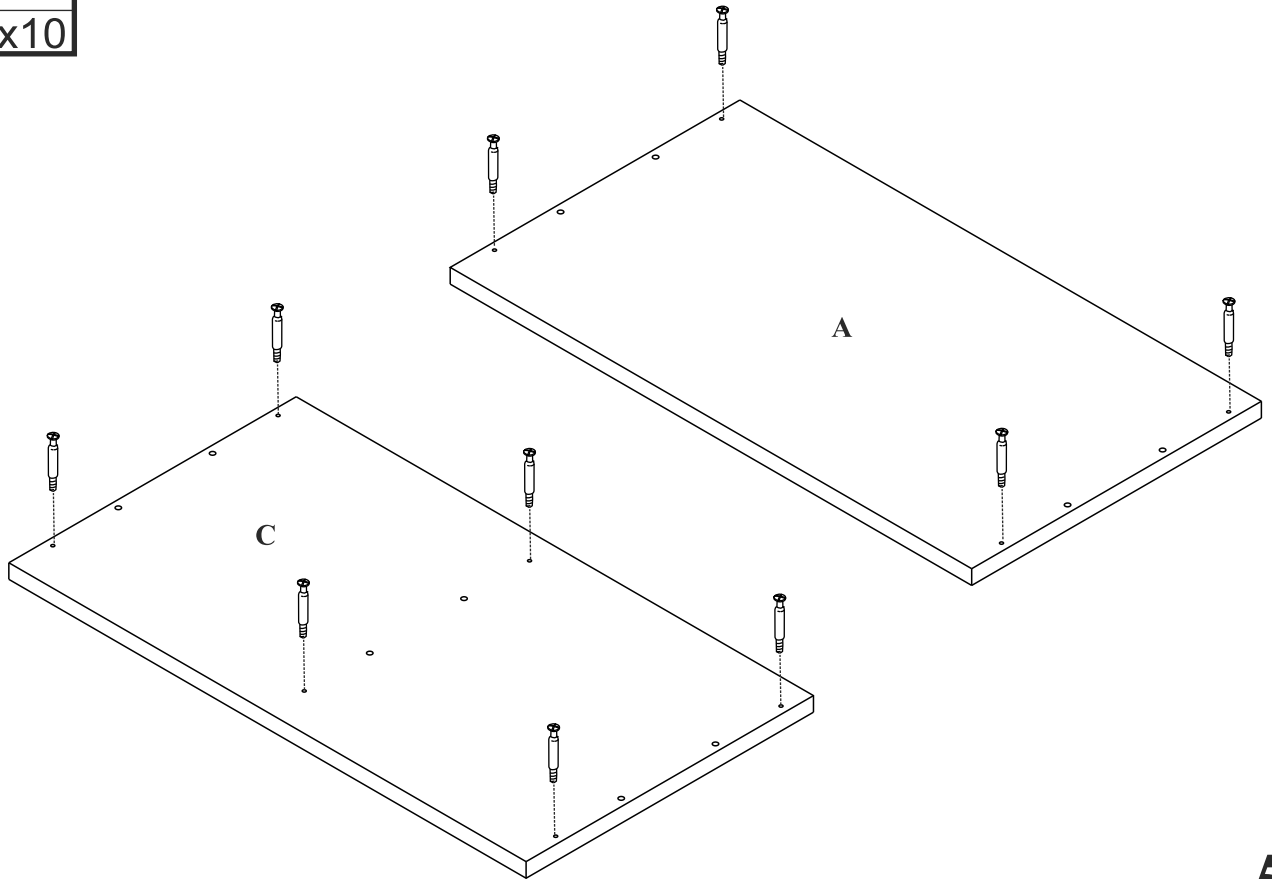
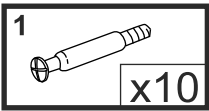
15	
	x2

14	
	x1

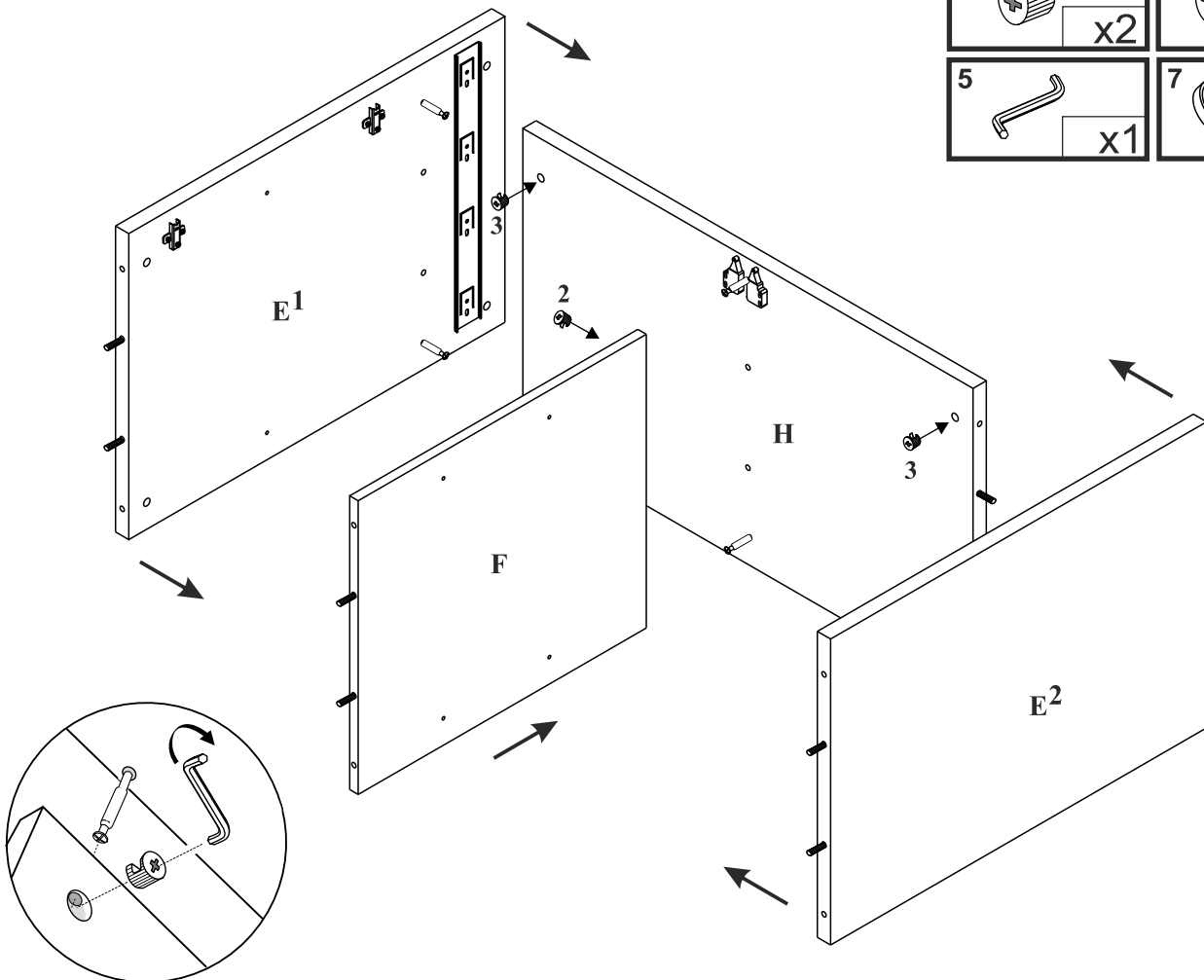
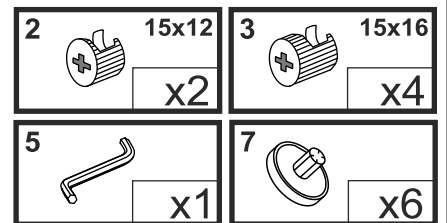
19	3,5x25
	x4

18	3x13
	x2


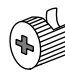





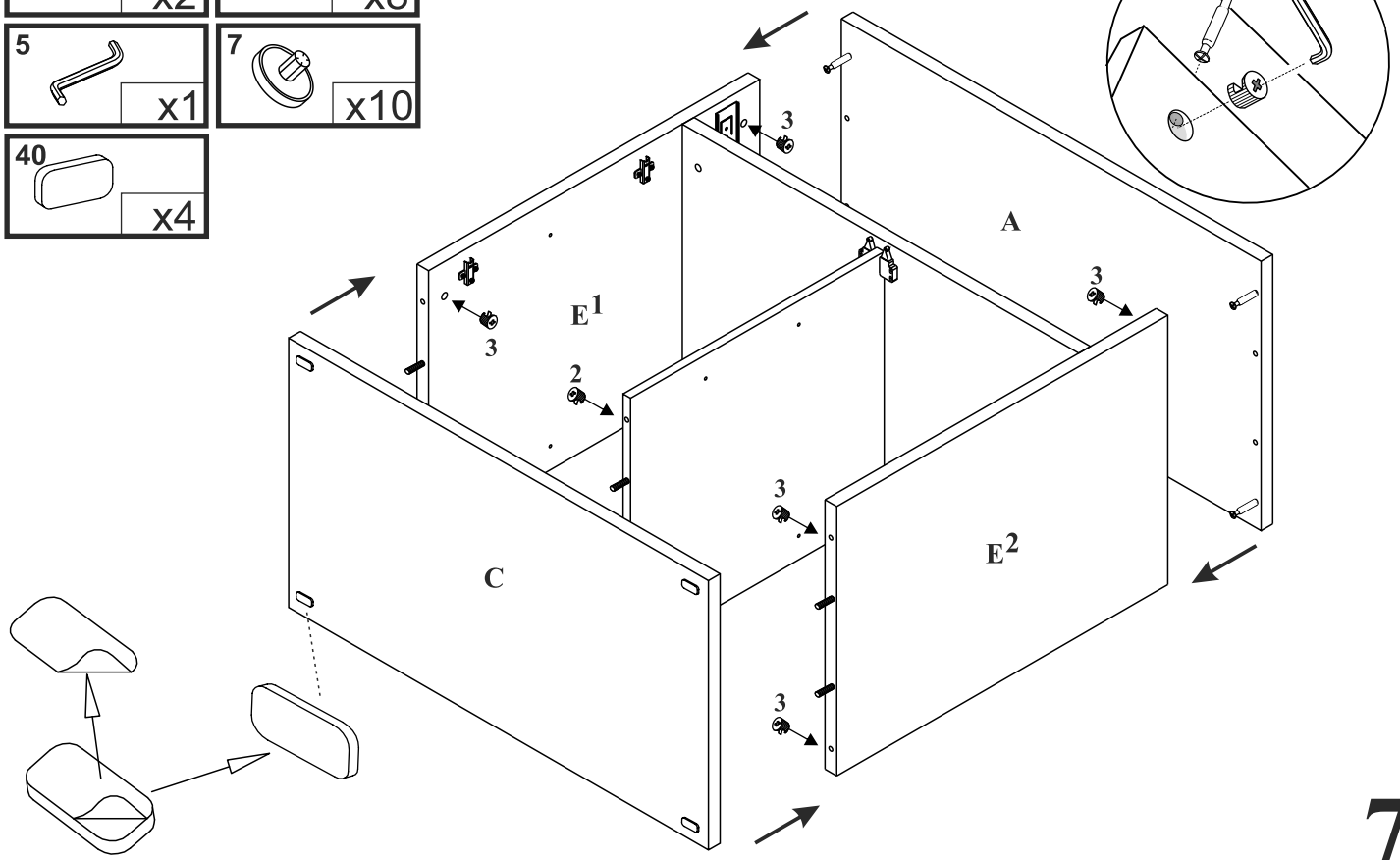


5




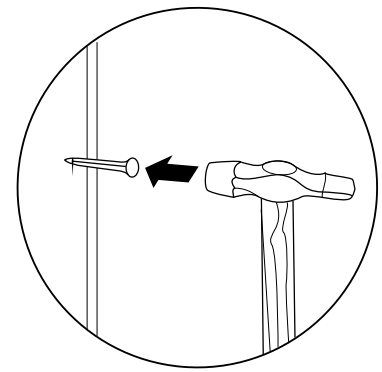
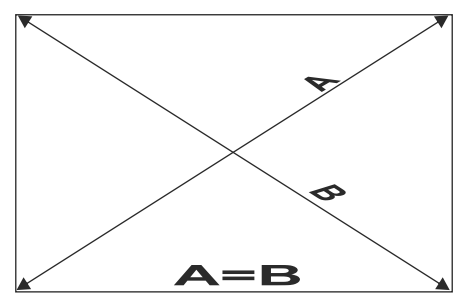
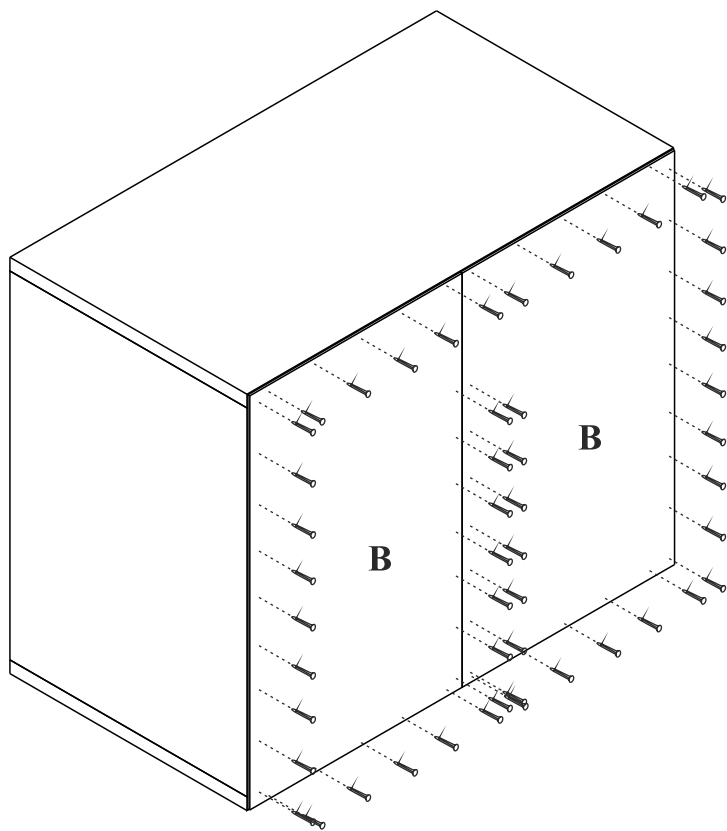
6

- | | | | |
|----|---|-------|-----|
| 2 |  | 15x12 | x2 |
| 3 |  | 15x16 | x8 |
| 5 |  | | x1 |
| 7 |  | | x10 |
| 40 |  | | x4 |

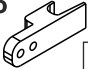
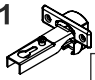




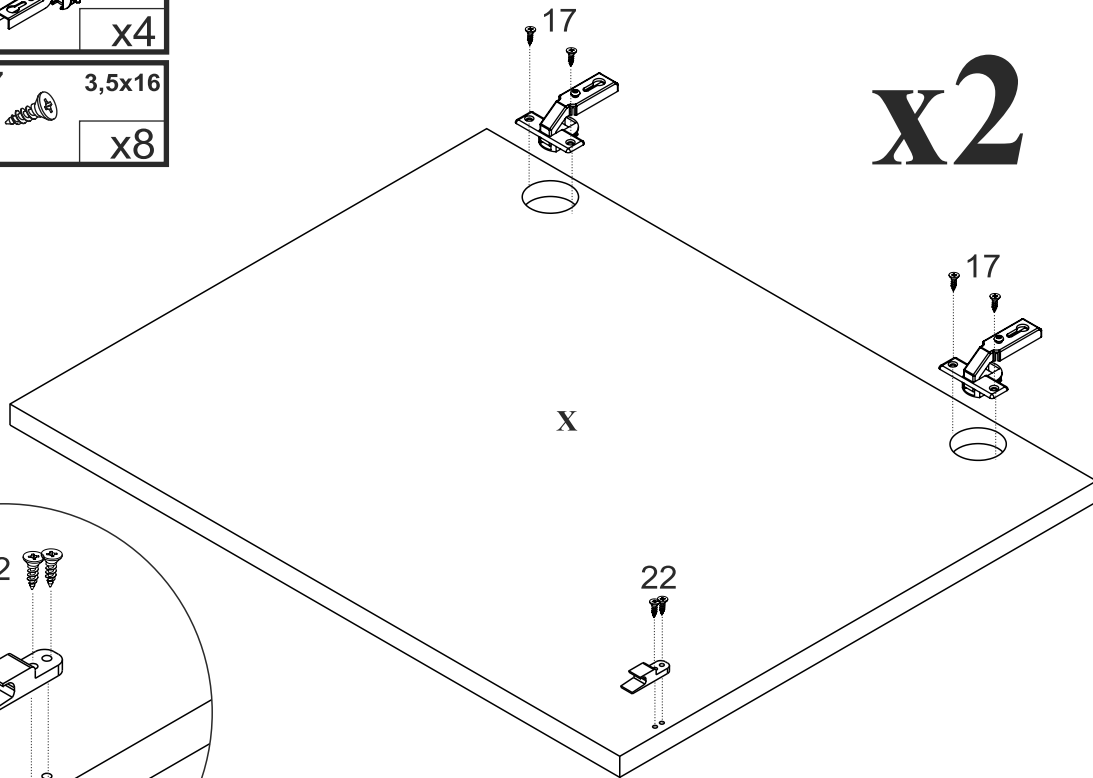
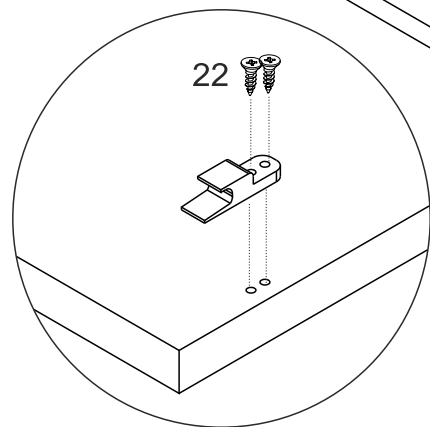
7

- | | | |
|----|---|-----|
| 10 |  | x50 |
|----|---|-----|








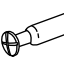


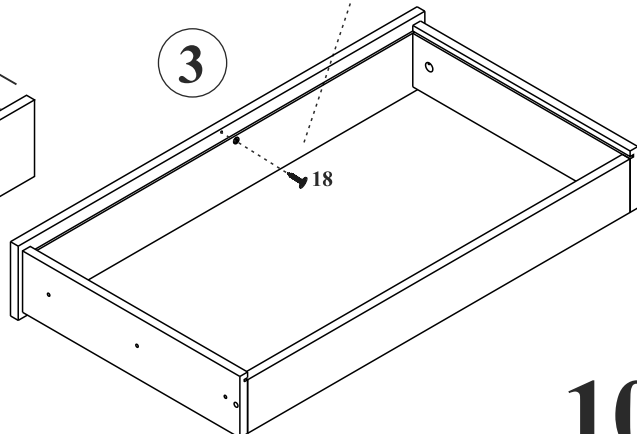
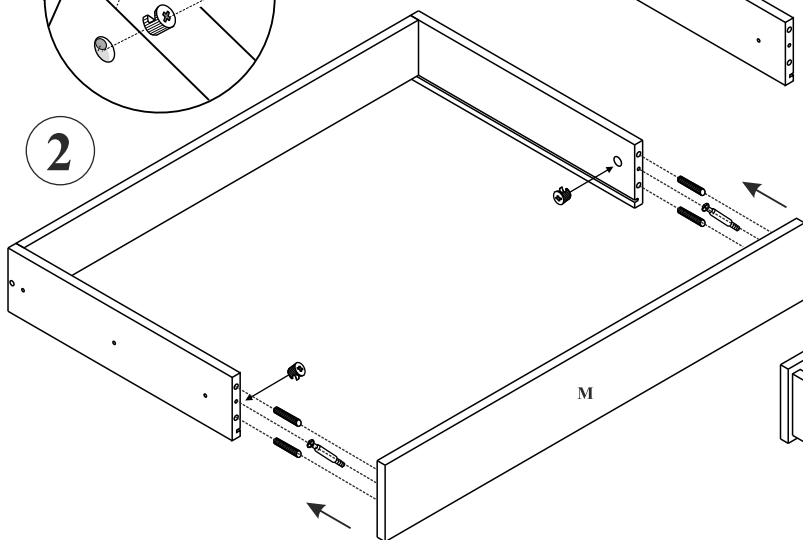
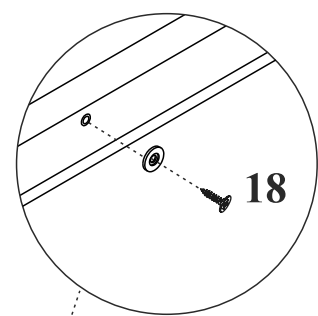
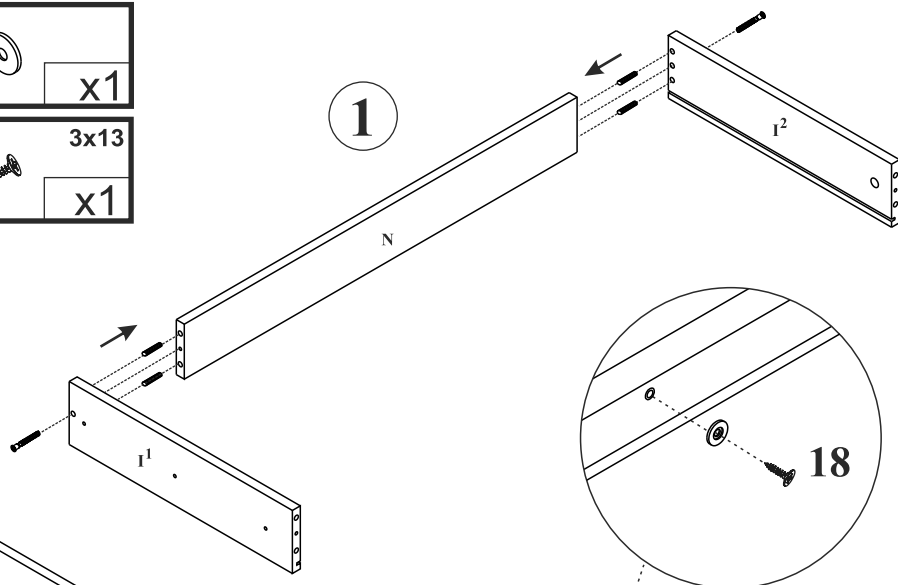
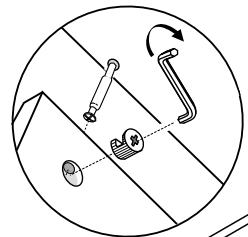
8

16		x2	11		x4
22		3,5x13 x4	17		3,5x16 x8

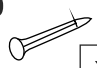


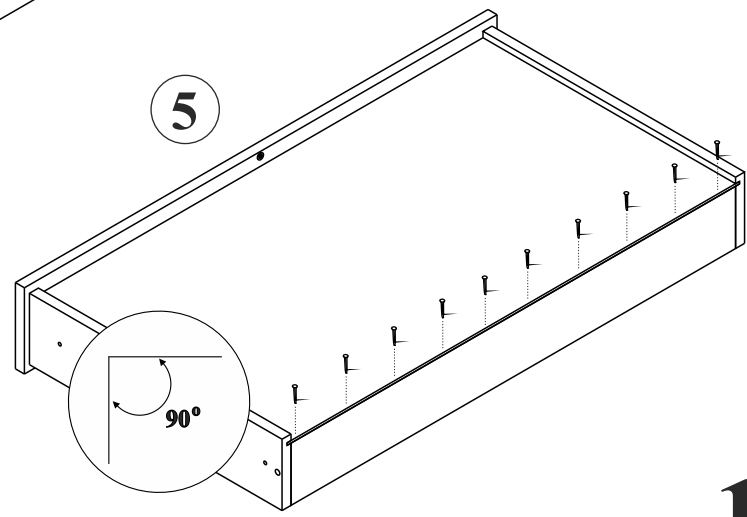
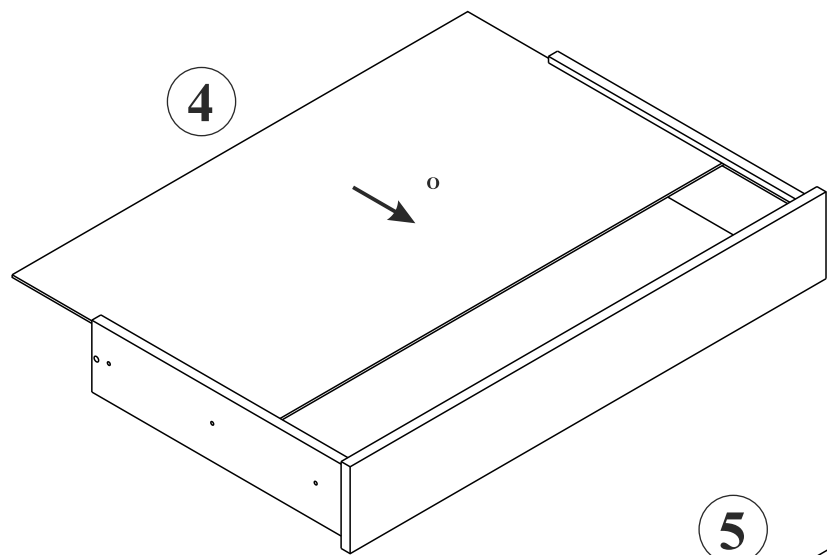
9

4		8x35 x8	8		7x50 x2	20		x1
5		x1	7		x2	18		3x13 x1
2		15x12 x2	1		x2			

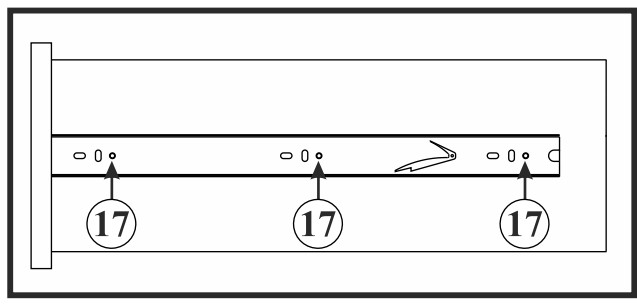


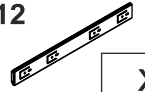
10


10  x10

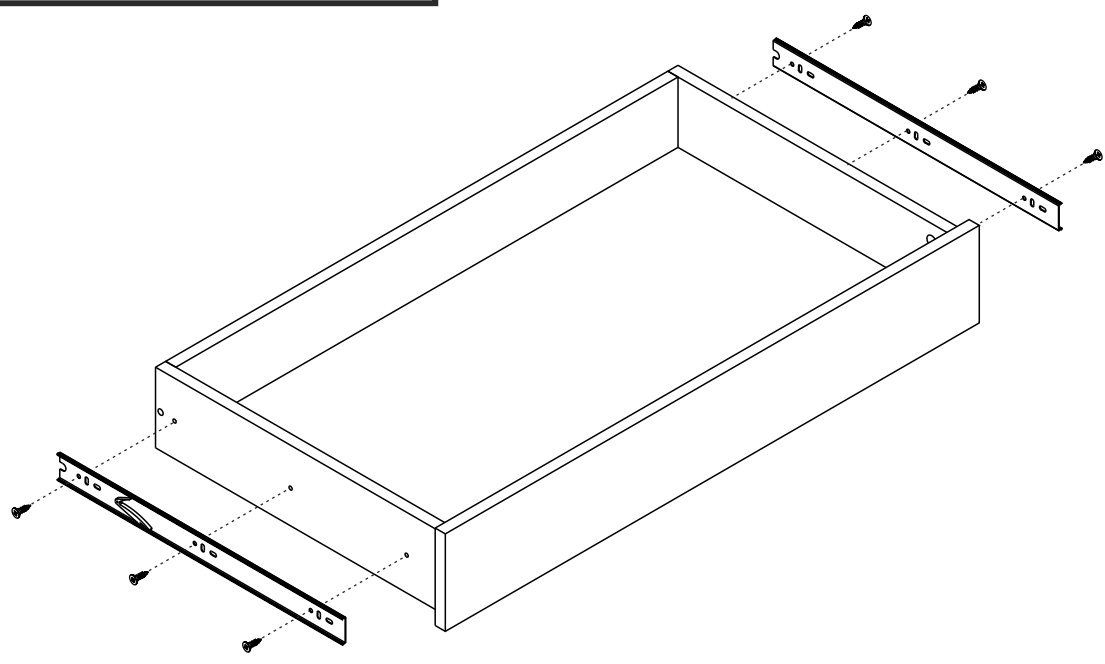


11



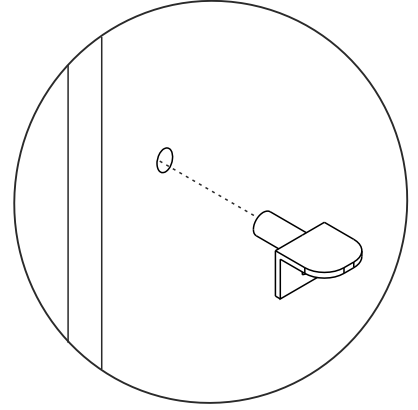
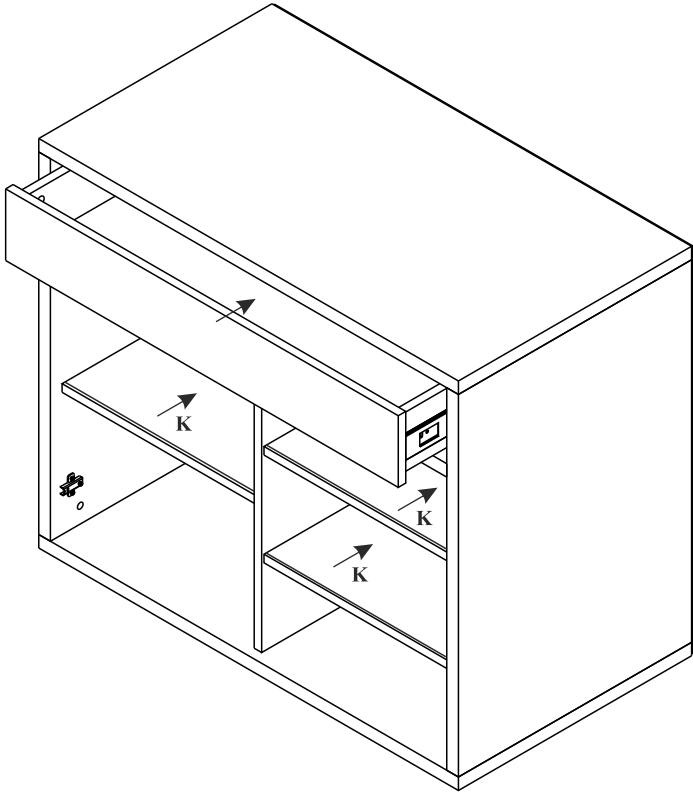
12  x2

17  3,5x16 x6

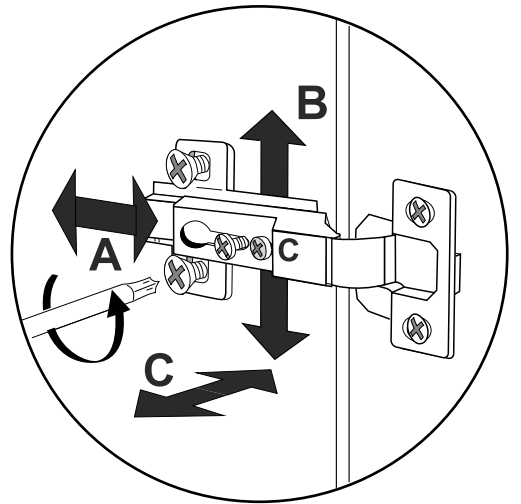
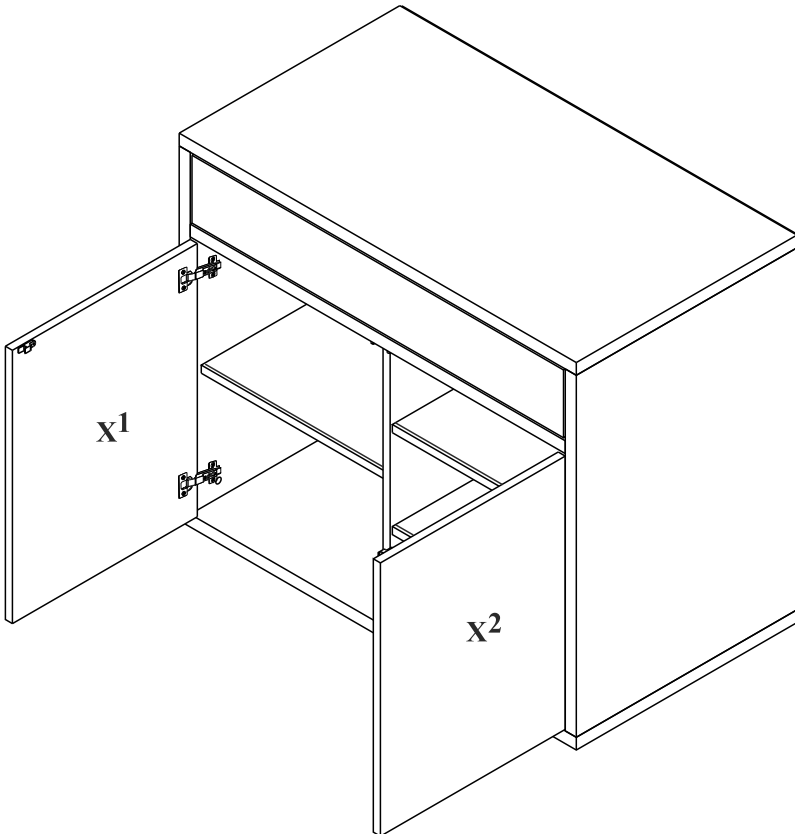


12

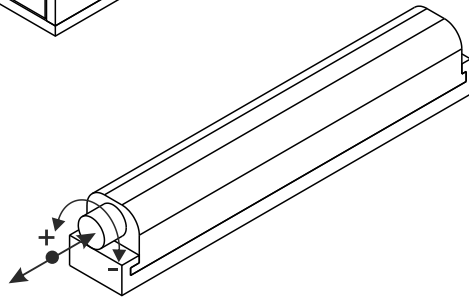
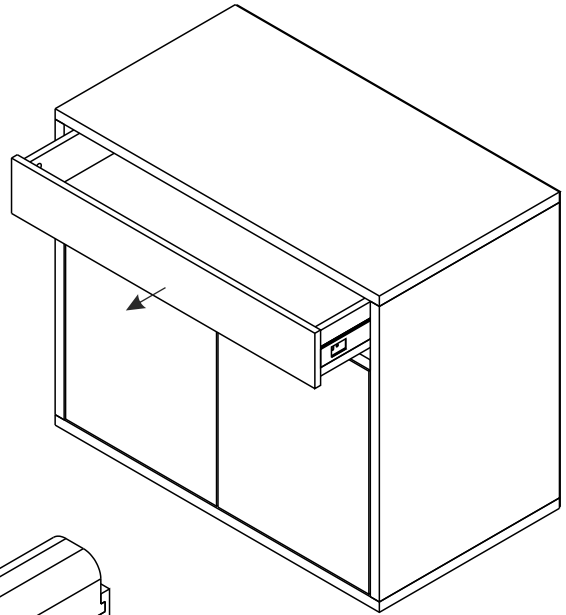
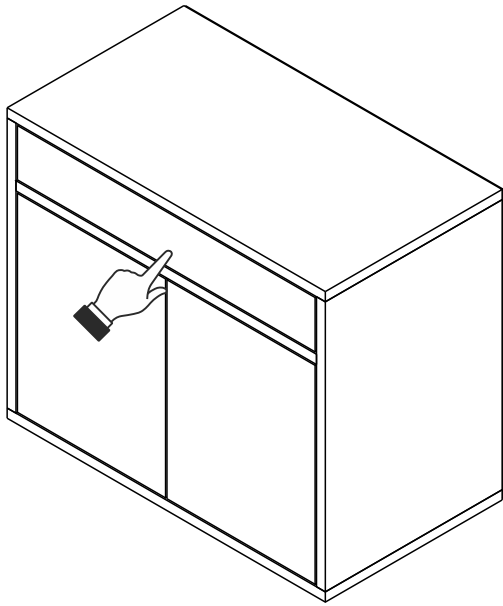
9 x12



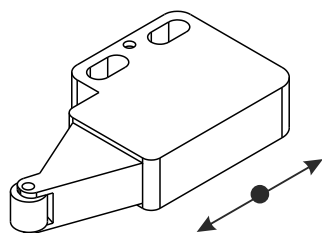
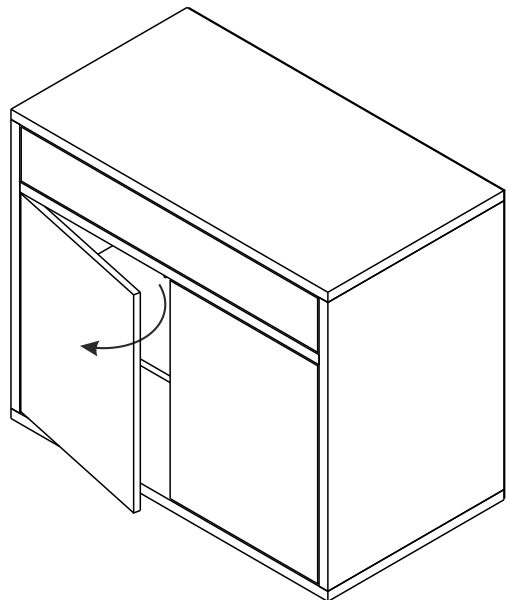
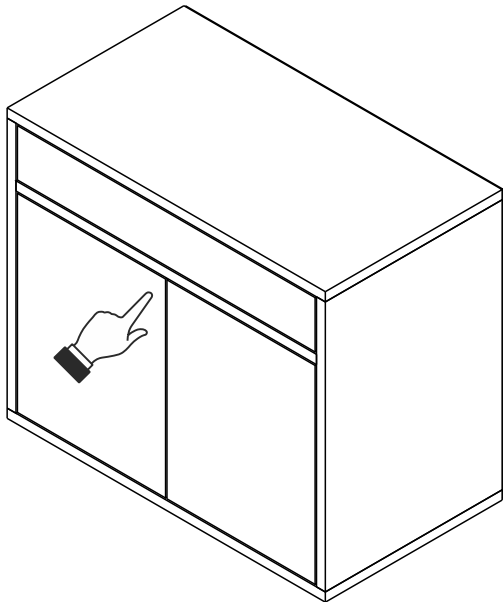
13



14



15



16